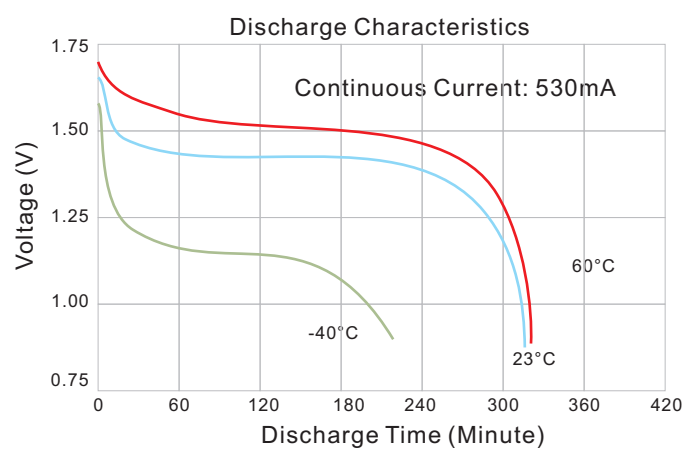
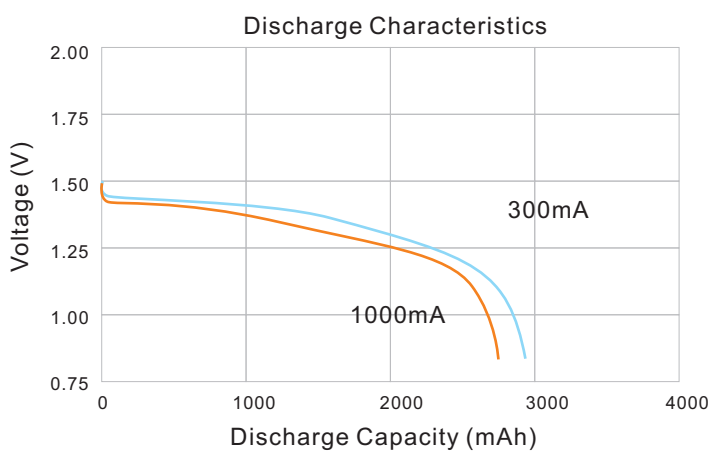
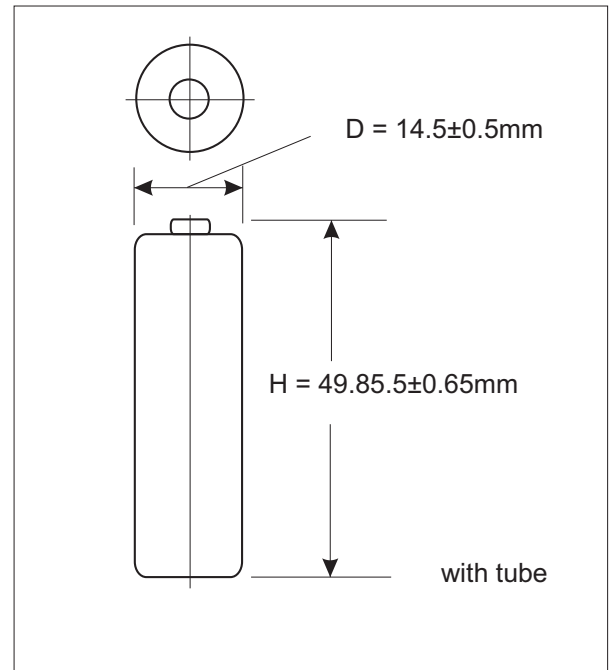


FR6 Specification

Lithium Iron Disulfide Primary Cylindrical Battery

(Li / FeS₂) 1.5V, 2900mAh

Model No.		FR6
Nominal Voltage		1.5V
Nominal Capacity (mAh) (Discharging at 300mA)		2900mAh
Working Voltage (Discharging at 200mA)		1.30V
Weight		14.5g
Maximum Dimension	Diameter	14.0±0.5mm
	Height	49.85±0.65mm
Max. Discharge Current	Continuous	2000mA
Cut-off Voltage		0.8V
Operating Temperature Range		-20°C to 60°C
Storage Temperature Range		-20°C to 40°C
Storage Humidity		≤75%



**Note: The data in this document are for descriptive purposes only and subject to change without prior notice.