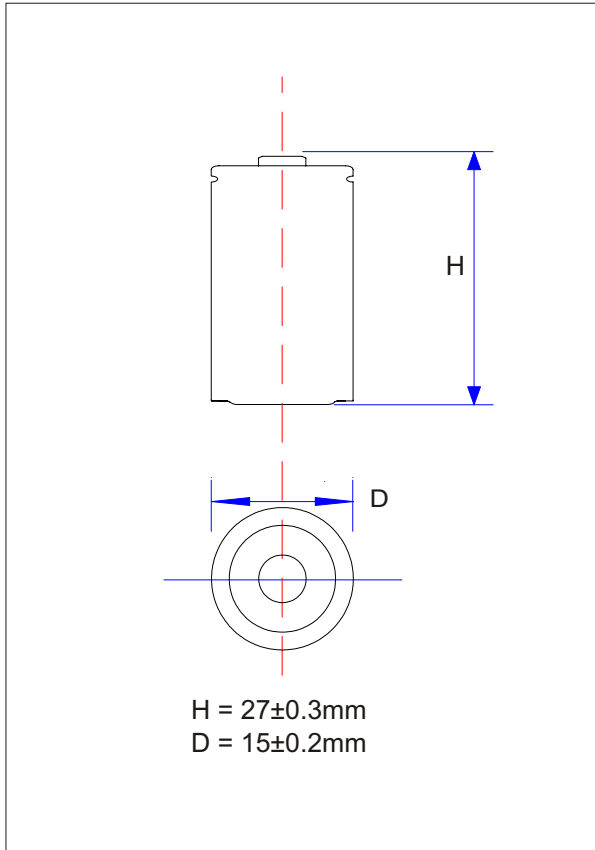


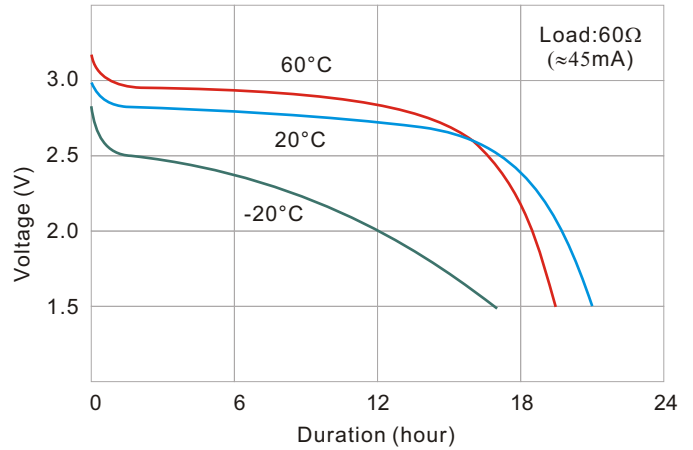
CR2 Specification

Lithium Manganese Dioxide Battery
(Li / MnO₂) 3V, 900mAh

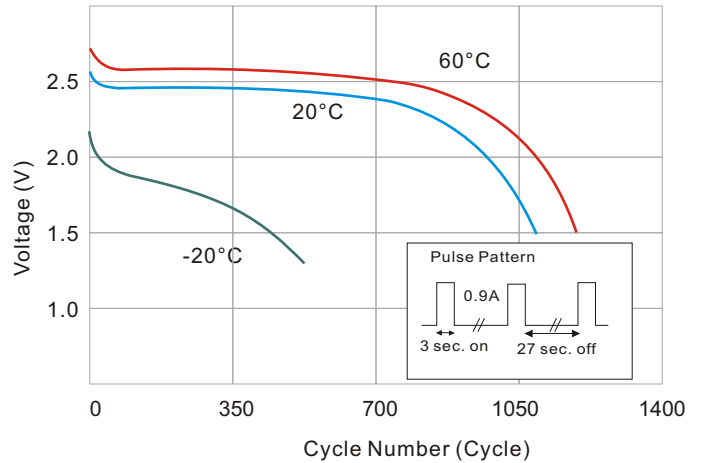


Nominal Voltage		3V
Nominal Capacity (mAh) (Base on standard drain and cutoff voltage down to 2.0V at 20°C)		900mAh
Standard Discharge Current		20mA
Weight		10.2g
Maximum	Diameter	15.1±0.1mm
Dimension	Height	26.7±0.3mm
Max. Discharge	Continuous	1000mA
Current	Pulse	3000mA
Operating Temperature Range		-30°C - 60°C
Cut-off Voltage		2V

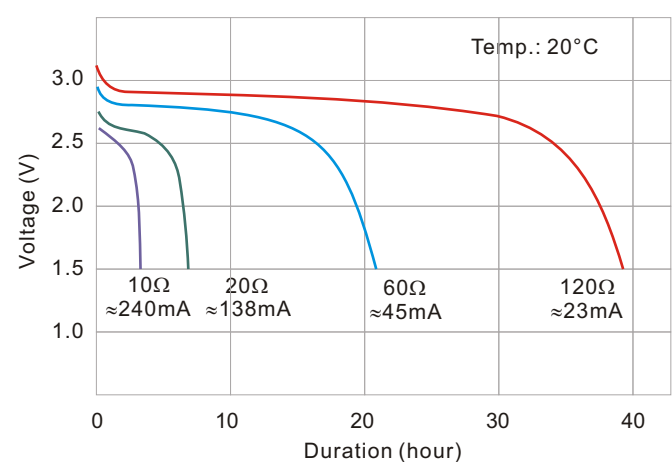
Temperature Characteristics



Pulse Discharge Characteristics



Typical Discharge Characteristics



**Note: The data in this document are for descriptive purposes only and subject to change without prior notice.