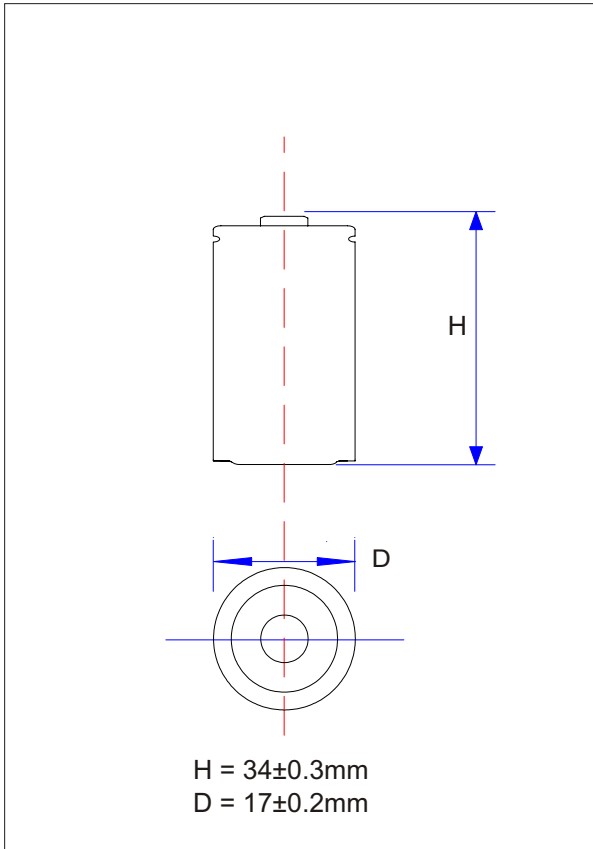


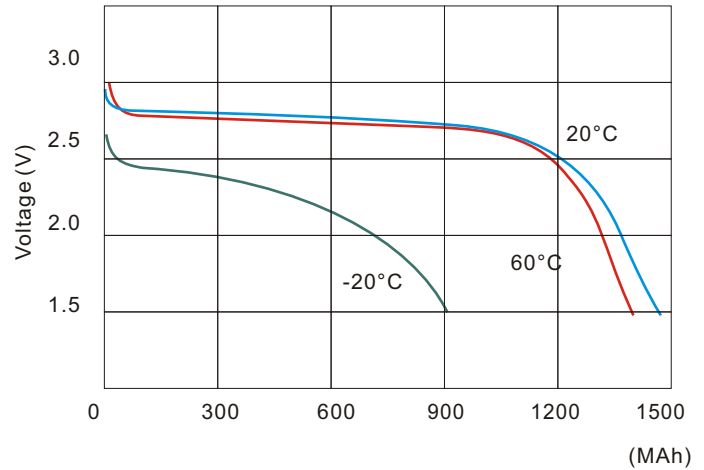
**CR123A Specification**

Lithium Manganese Dioxide Battery  
(Li / MnO<sub>2</sub>) 3V, 1400mAh

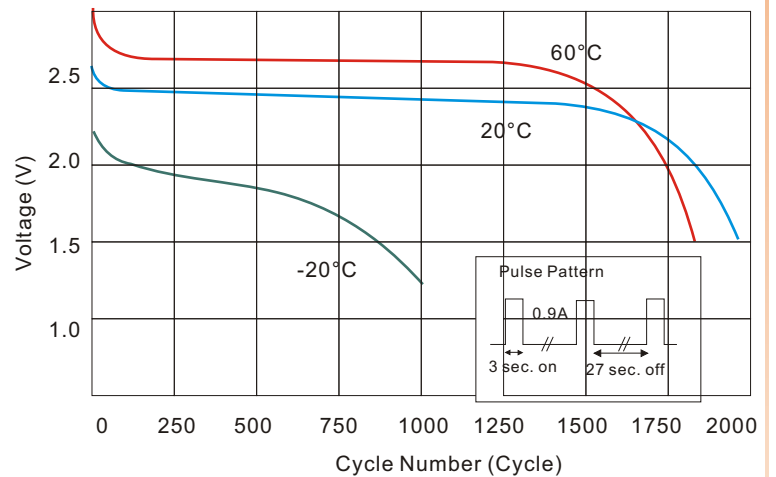


Nominal Voltage		3V
Nominal Capacity (mAh)		1400mAh
Standard Discharge Current		20mA
Weight		15.8g
Maximum	Diameter	16.6±0.1mm
Dimension	Height	34.2±0.3mm
Max. Discharge	Continuous	1000mA
Current	Pulse	3000mA
Operating Temperature Range		-20°C - 60°C
Cut-off Voltage		2V

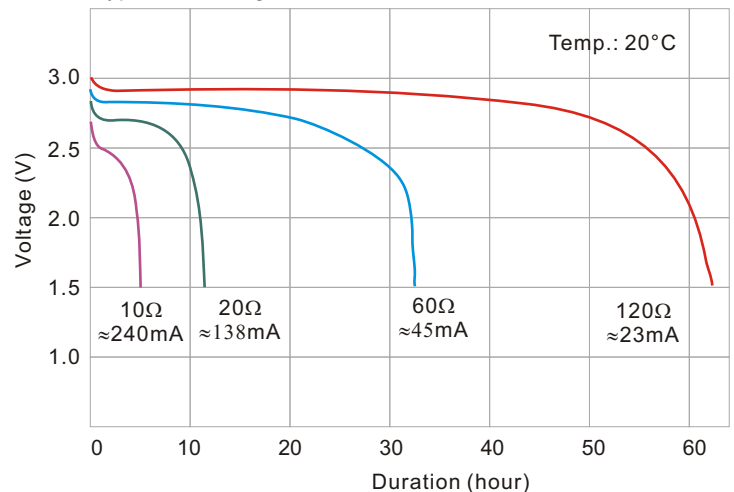
Temperature Characteristics



Pulse Discharge Characteristics



Typical Discharge Characteristics



\*\*Note: The data in this document are for descriptive purposes only and subject to change without prior notice.